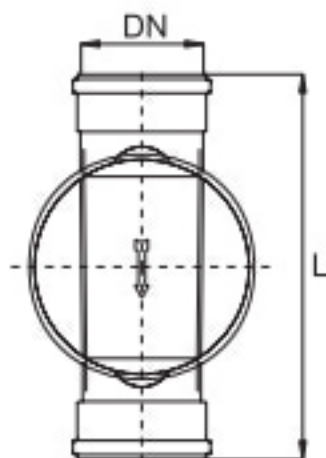
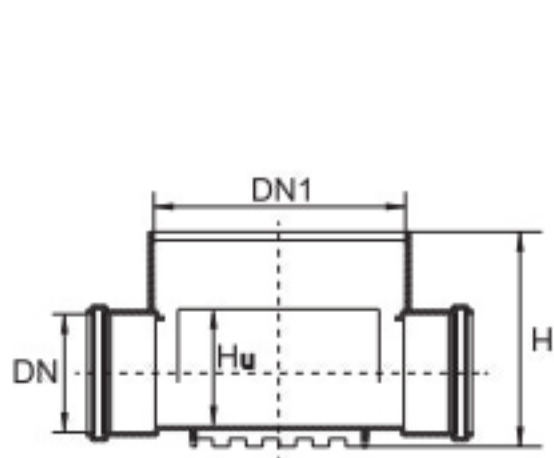


# CHAMBER BASE TYPE 315 STRAIGHT

## WITH SEAL



DN [mm]	Dn1 [mm]	H [mm]	Hu [mm]	L [mm]	Product no.
160	341	290	165	521	33116
200	341	336	200	513	33216